

“AF” SERIES APPLIANCES ARE YOUR PERFECT CHOICE FOR:

- Scuba Divers
- Pilot Air
- Fire & Rescue Workers
- Medical Air
- Hazardous Environment Workers
- Wearers of “SCBA”

SPECIFICATIONS . . .

Minimum WP: 2000 PSI
 Maximum WP: 5000 PSI
 (Optional 6000 PSI)
 Maximum Operating Temp.: 120°F
 Tensile Strength: 83000
 Cylinder Mat.: Aluminum 7075 / 6061
 Cylinder Finish: Hard Anodize
 Safety Factor: 4:1 ASME
 Re-pressure Cycle Life: 40000

INCLUDED . . .

L-Factor “X” Cartridge Set
 Instruction Manual
 Cart Change Indicator Kit
 Full 1-Year Warranty

OPTIONAL . . .

Electronic Cart Change Monitor
 Electronic CO Monitor
 X-zam Air Quality Test Program
 Automatic Drain System
 Freestanding Chassis
 Spanner Wrench
 Non-Hydrocarbon Grease
 Seal Kit

OTHER AF MODELS . . .

AF-531-114
 Maximum SCFM: 40
 Typical Cartridge Life: 155000 CF

AF-531-116
 Maximum SCFM: 50
 Typical Cartridge Life: 250000 CF

AF-531-117
 Maximum SCFM: 50
 Typical Cartridge Life: 400000 CF

L-Factor “X”, X-pert and X-tractor are trademarks; X-pendable and X-zam are registered trademarks of Lawrence Factor, Inc. Copyright © 1998

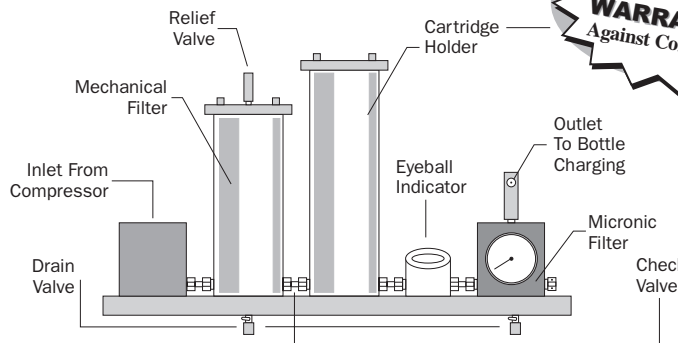


4740 NW 157th Street, Miami Lakes, FL 33014
 Phone: (305) 430-0550 Fax: (305) 430-0864
 eMail: L-Factor@IX.Netcom.Com
 Web Page: www.lawrence-factor.com
800-338-5493

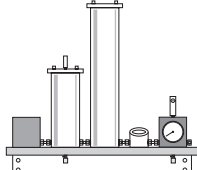
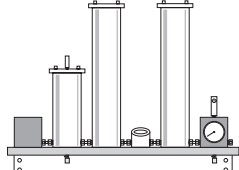
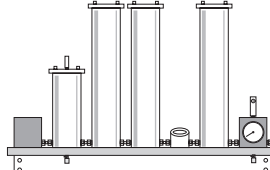
AF SERIES

APPLIANCES FOR HIGH PRESSURE BREATHING AIR

When the pressure is on and lives and health depend upon the quality of compressed breathing air, a Lawrence Factor Appliance can make the difference. Lawrence Factor Appliances, the result of years of considered research by our laboratory X-perts, purify and supply safe breathing air for those who work or play in hazardous environments.



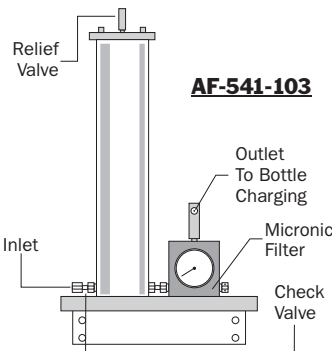
AF-531-110
Maximum CFM: 12
***Typical Cartridge Life: 13000 CF**
Cartridge: X53240
Dimensions 18"W x 22"H x 5"D

 <p>AF-531-111 Maximum CFM: 20 *Typical Cartridge Life: 26000 CF Cartridge: X53247 Dimensions: 18"W x 36"H x 5"D</p>	 <p>AF-531-112 Maximum CFM: 40 *Typical Cartridge Life: 65000 CF Cartridge: X53677 & X53247 Dimensions: 24"W x 38"H x 5"D</p>	 <p>AF-531-113 Maximum CFM: 40 *Typical Cartridge Life: 110000 CF Cartridge: X53677 & X53247 Dimensions: 30"W x 38"H x 5"D</p>
--	--	--

*Typical Cartridge Lives are calculated for gas saturated with water and entering appliance at 80°F and 5000 PSI.

ECONOMICAL MODELS

Designed for use with Low Flow Compressors - these economy “AF” Purifiers combine coalescing and adsorption processes within a single *duplex stage tower*.



AF-541-103

AF-541-103
 Maximum CFM: 12
 *Typical Cartridge Life: 16000 CF
 Cartridge: X542423
 Dimensions: 12"W x 36"H x 5"D

AF-541-104
 Maximum CFM: 8
 *Typical Cartridge Life: 6500 CF
 Cartridge: X54249
 Dimensions: 8" x 18" x 5"

Optional: 1) Inlet Manifold for economy 2) “Eyeball” cartridge change indicator.
NOTE: Economical models not recommended for use with Auto Drain Systems.